



## W AUTOMAT BUSBARS

### Technical Features ;

- The conductor is 100% copper
- Isolation section is high impact resistant hard PVC material
- UL94V0 flammability standard
- Insulation support on the connection surface
- Insulation support with detachable side cover
- Production in metered length, gives the possibility to use it according to the number of desired modules

### Range of Products;

- 1- Phase W Automater Busbars
- 2- Phase W Automater Busbars
- 3- Phase W Automater Busbars
- 3- Phase + Neutral W Automater Busbars
- Insulated engine protection bars (63 Amperes)
- Monophase W Automater bar, pin type (2 mm)
- (L1+N, L2+N, L3+N) W automater busbars, (80 A)
- Modular power connectors

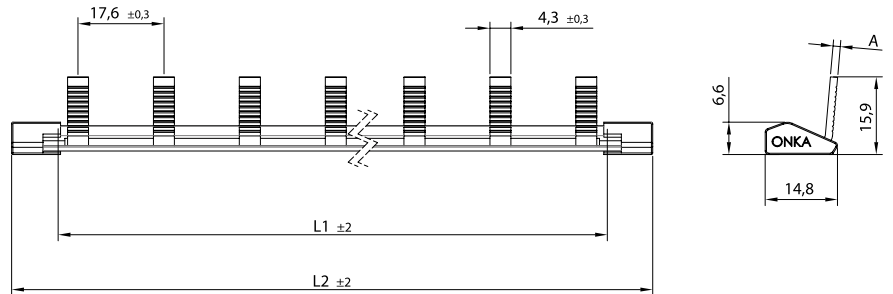


# W AUTOMAT BUSBARS

1-PHASE W AUTOMAT BUSBARS



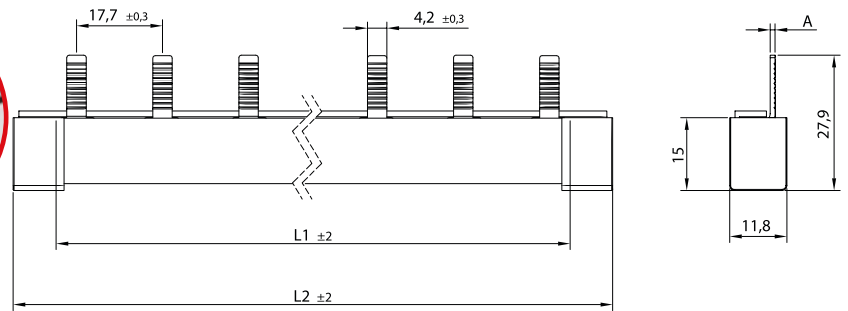
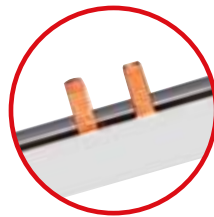
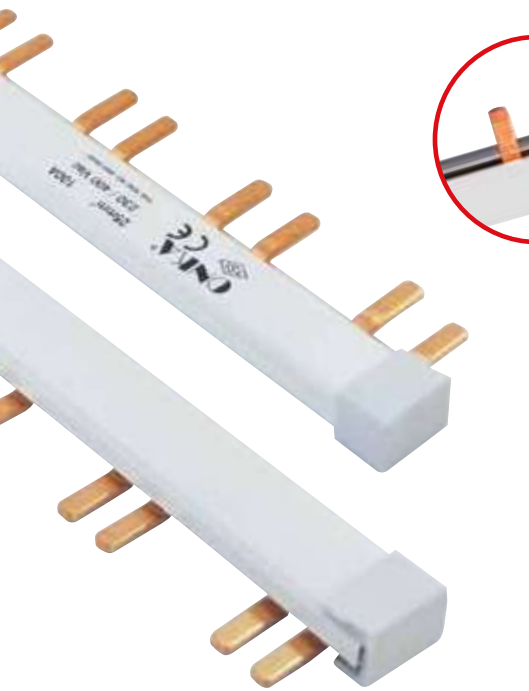
| MATERIAL                 |                    |
|--------------------------|--------------------|
| Material                 | Elecrolytic Copper |
| Isolation                | PVC                |
| Conductivity Coefficient | 56ms/m             |



Code: 3000

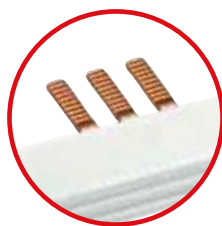
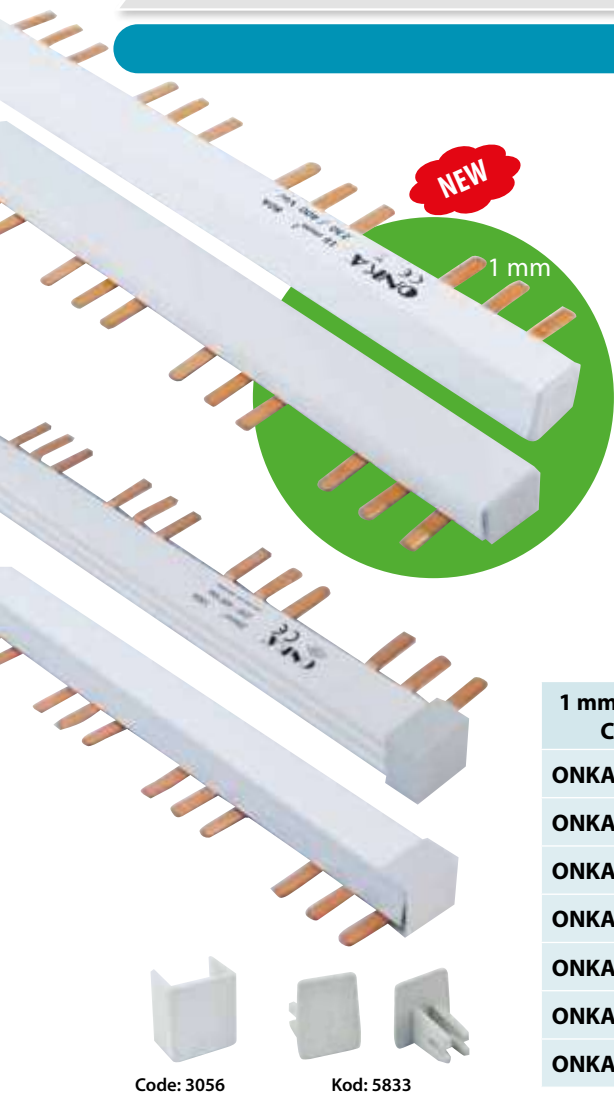
| 1 mm Cu 80 A<br>CODE | 1.5 mm Cu 100 A<br>CODE   | 2 mm Cu 125 A<br>CODE | MODUL | L1<br>(mm) | L2<br>(mm) | PCS<br>BOX |
|----------------------|---------------------------|-----------------------|-------|------------|------------|------------|
| ONKA-3006            | ONKA-3001                 | ONKA-3011             | 12    | 199        | 219        | 50         |
| ONKA-3007            | ONKA-3002                 | ONKA-3012             | 18    | 304        | 324        | 50         |
| ONKA-3008            | ONKA-3003                 | ONKA-3013             | 24    | 409        | 429        | 50         |
| ONKA-3009            | ONKA-3004                 | ONKA-3014             | 30    | 514        | 534        | 50         |
| ONKA-3010            | ONKA-3005                 | ONKA-3015             | 56    | 970        | 990        | 50         |
| ONKA-3000            | Plastic Covers of Busbars |                       |       |            |            | 100        |

2-PHASE W AUTOMAT BUSBARS

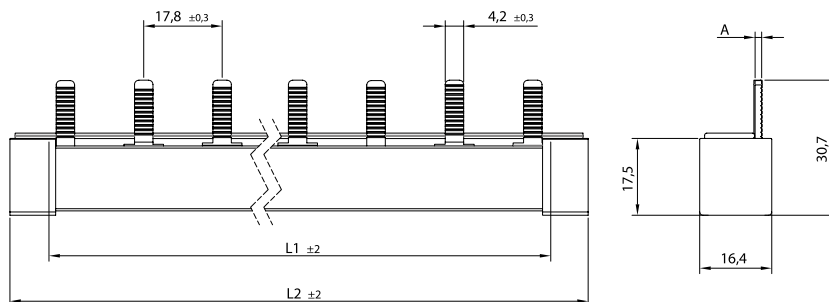


Code: 3026

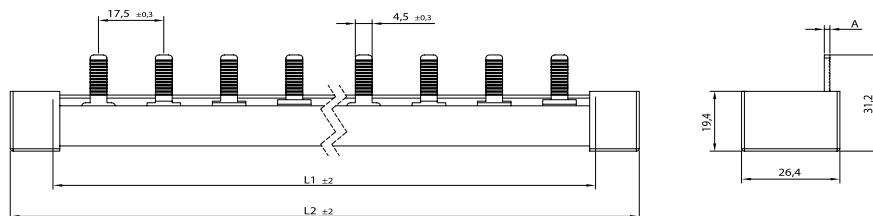
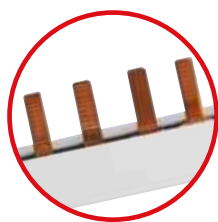
| 1 mm Cu 80 A<br>CODE | 1.5 mm Cu 100 A<br>CODE   | MODUL | L1<br>(mm) | L2<br>(mm) | PCS<br>BOX |
|----------------------|---------------------------|-------|------------|------------|------------|
| ONKA - 3021          | ONKA - 3031               | 6     | 199        | 219        | 30         |
| ONKA - 3022          | ONKA - 3032               | 9     | 304        | 324        | 30         |
| ONKA - 3023          | ONKA - 3033               | 12    | 409        | 429        | 30         |
| ONKA - 3024          | ONKA - 3034               | 15    | 514        | 534        | 30         |
| ONKA - 3025          | ONKA - 3035               | 28    | 970        | 990        | 30         |
| ONKA - 3026          | Plastic Covers of Busbars |       |            |            | 100        |

**3-PHASE W AUTOMAT BUSBARS**


| MATERIAL                 |                    |
|--------------------------|--------------------|
| Material                 | Elecrolitic Copper |
| Isolation                | PVC                |
| Conductivity Coefficient | 56ms/m             |



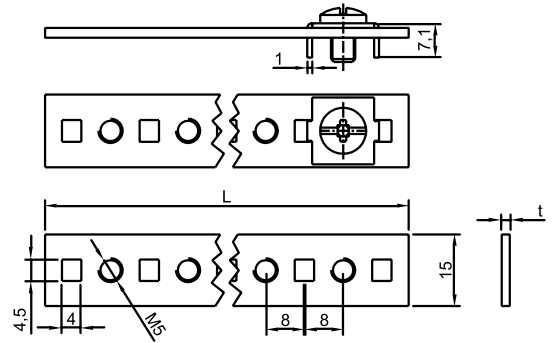
| 1 mm Cu 80 A<br>CODE | 1.5 mm Cu 100 A<br>CODE                | 2 mm Cu 125 A<br>CODE | MODUL | L1<br>(mm) | L2<br>(mm) | PCS<br>BOX |
|----------------------|--|-----------------------|-------|------------|------------|------------|
| ONKA-3041            | ONKA-3051                              | ONKA-3066             | 4     | 199        | 219        | 30         |
| ONKA-3042            | ONKA-3052                              | ONKA-3067             | 6     | 304        | 324        | 30         |
| ONKA-3043            | ONKA-3053                              | ONKA-3068             | 8     | 409        | 429        | 30         |
| ONKA-3044            | ONKA-3054                              | ONKA-3069             | 10    | 514        | 534        | 30         |
| ONKA-3045            | ONKA-3055                              | ONKA-3070             | 20    | 1040       | 1060       | 25         |
| ONKA-3056            | Plastic Covers of Busbars (1,5 - 2 mm) |                       |       |            |            | 100        |
| ONKA-5833            | 1 mm Plastic Covers of Busbars (1 mm)  |                       |       |            |            | 100        |

**3-PHASE + NOTR W AUTOMAT BUSBARS**


| 1.5 mm Cu 100 A<br>CODE | MODUL                     | L1<br>(mm) | L2<br>(mm) | PCS/BOX |
|-------------------------|---------------------------|------------|------------|---------|
| ONKA-3058               | 4                         | 286        | 306        | 16      |
| ONKA-3059               | 8                         | 550        | 570        | 16      |
| ONKA-3060               | 14 (1 m)                  | 970        | 990        | 16      |
| ONKA-3057               | Plastic Covers of Busbars |            |            | 100     |

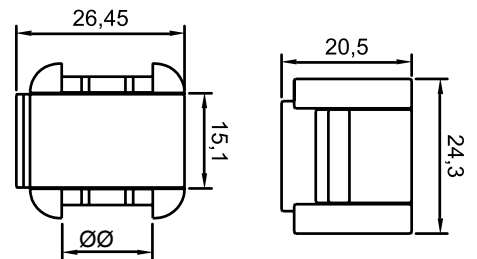


**NEUTRAL GRAUNDED BUSBAR (SCREW-ON / FLAT COPPER)**



| NEW CODE | OLD CODE  | DESCRIPTIONS |             | Current (A) | t (mm) | L (mm) | Pcs. Box |
|----------|-----------|--------------|-------------|-------------|--------|--------|----------|
|          |           | Screws       | Dia         |             |        |        |          |
| 1140001  | ONKA-3075 | 31           | 1.5 x 15 mm | 100         | 1,50   | 1000   | 25       |
| 1140002  | ONKA-3076 | 62           | 1.5 x 15 mm | 100         | 1,50   | 1000   | 25       |
| 1140003  | ONKA-3080 | 31           | 2 x 15 mm   | 125         | 2      | 1000   | 25       |
| 1140004  | ONKA-3087 | 62           | 2 x 15 mm   | 125         | 2      | 1000   | 25       |
| 1140005  | ONKA-3088 | 31           | 3 x 15 mm   | 150         | 3      | 1000   | 25       |
| 1140006  | ONKA-3086 | 62           | 3 x 15 mm   | 150         | 3      | 1000   | 25       |

**NEUTRAL GRAUNDED BUSBAR SUPPORT (SCREW-ON / FLAT COPPER)**



| NEW CODE | OLD CODE  | DESCRIPTIONS   | Pcs. Box |
|----------|-----------|----------------|----------|
| 1140015  | ONKA-3091 | Busbar Support | 100      |