

multitek

MultiPower DC measuring multifunction meter



PARAMETERS MEASURED

- * dc Voltage (V)
- * dc Current (I)
- * dc Power (kW)
- * dc Import Energy (kW.h)
- * dc Export Energy (kW.h)
- * dc Ampere Hours (A.h)
- * dc Amp Demand (Ad)
- * dc Max Amp Demand
- * dc Power Demand (kWd)
- * dc Max Power Demand

DISPLAY

The unique 3 colour option LCD FSTN display is designed to be read in a variety of conditions over wide viewing angles and distances. There are 3 colour options of the back lighting available Blue, Green or White which are user selectable through the front control buttons.

PROGRAMMING

The following can be programmed by the front buttons or via the RS485 port: Current inputs, Demand times, relay divisor.

PULSED OUTPUT

An optional pulsed output can be ordered. The relay can be assigned to kW.h (import/export) or A.h

MultiPower DC M850LDD

The M850LDD is a DC measuring multifunction power meter measuring all DC parameters, with the option of providing RS485 Modbus communication and a pulsed output in a 96x96mm Din panel mount Case.

The M850LDD has a universal power supply which is suitable for ac or dc auxiliary voltages. The M850LDD covers a wide range of voltage inputs and current inputs. The current input can be up to 5 amps direct or any value using a mV input Example: a shunt of 2000A dc with 50mV output.

COMMUNICATION

The M850LDD has the option of providing RS485 output using the well established Modbus protocol. This enables remote reading and programming of the M850LDD using a host computer.

The RS485 network allows up to 32 units to be connected in parallel, enabling them to be used with PC, PLC, RTU, Data loggers and Scada programs.

The M850LDD communication port incorporates an auto-configure function which, when connected to an existing Modbus network, will automatically detect the network's parameters.

SOFTWARE

MultiView set-up and monitoring software is available free of charge from our web-site: www.multitek-ltd.com

ORDERING INFORMATION

M850LDD	Standard meter
M850LDDRS	+RS485
M850LDDPO	+ Pulsed output
M850LDDRSPO	RS485 & Pulsed

Information required	Example
Product Code	M850LDDRS
Nominal input current	50mV
Nominal voltage	800V

Standard nominal inputs:

Voltage

60V, 150V, 300V, 800V

Current (using external shunt)

50mV, 60mV, 75mV, 100mV

GENERAL SPECIFICATION

INPUT

Rated Un	Directly connected:
Specify	800Vdc, 300Vdc, 150Vdc or 60Vdc
Range	2-120% Un
Overload	120% Un
Rated In	mV dc, 1Adc or 5A dc
Range	2-120% In
Overload	120% In
Overload	2 x In for 1 second

ACCURACY

Specified @ 23°C 10-100% Un, 10-100% In
Parameters unless stated

Volts and Amps	0.5% of reading +/- 2 digits
Energy	Class 1% to IEC 1036
All other parameters	1% of reading +/- 2 digits

AUXILIARY

Standard: 100-440Vac/100-420Vdc
Optional: 19-69Vdc

INSULATION

Installation category	III
Degree of pollution	2
Rated impulse withstand voltage	IEC60947-1-V imp:4kV
Electrical security	IEC 61010-1
Inputs + Aux to case	3kV rms 50Hz for 1 min
Inputs + Aux to RS485	3kV rms 50Hz for 1 min
Inputs + Aux to relay	1k5V rms 50Hz for 1 min

ENVIRONMENTAL

Working Temperature	0 to +60 deg C
Storage Temperature	-30 to +65 deg C
Temperature Coefficient	0.01% per deg C

ELECTROMAGNETIC COMPATIBILITY

Immunity to :	
electrostatic discharges:	IEC 61000-4-2-Level III
radiated radio-Hz fields:	IEC 61000-4-3-Level III
electrical fast transient/bursts:	IEC 61000-4-4-Level III
impulse waves:	IEC 61000-4-5-Level III
conducted disturbances:	IEC 61000-4-6-Level III
voltage dips & short interruptions:	IEC 61000-4-11
Emissions to:	
Conducted and radiated	CISPR11-Class A

OPTIONS

RS458 Modbus
Solid-state, low voltage relay.
Rated: 100Vpk, 120mA
Low voltage DC auxiliary
19-69V DC

APPLIED STANDARDS

General	IEC 688 BSEN60688 BS4889 IEC 359
Safety	IEC 6101-1 2010

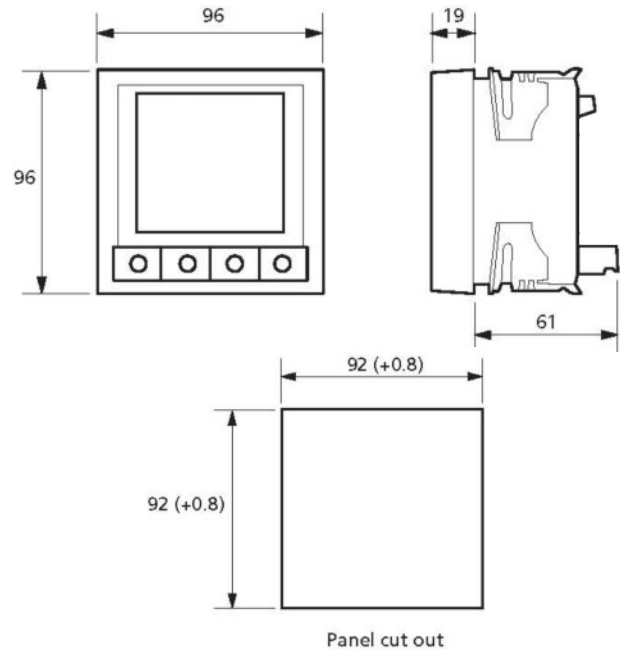
APPROVALS

UL,

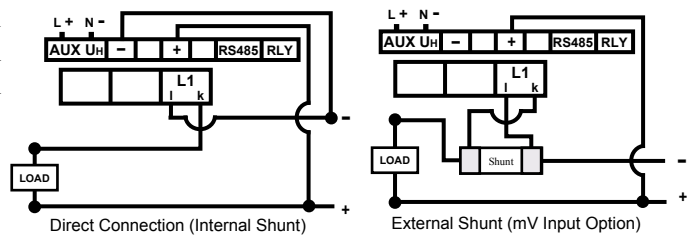
File No 3377521

CASE DIMENSIONS

All Dimensions in mm



CONNECTION DIAGRAMS



multitek®

Multitek Power Ltd. Lancaster Way, Earls Colne Business Park, Earls Colne, Colchester, Essex. CO6 2NS. England.
Tel. (01787) 223228 Fax. (01787) 223607
E-MAIL: Sales@multitek-ltd.com WEB SITE: www.multitek-ltd.com